

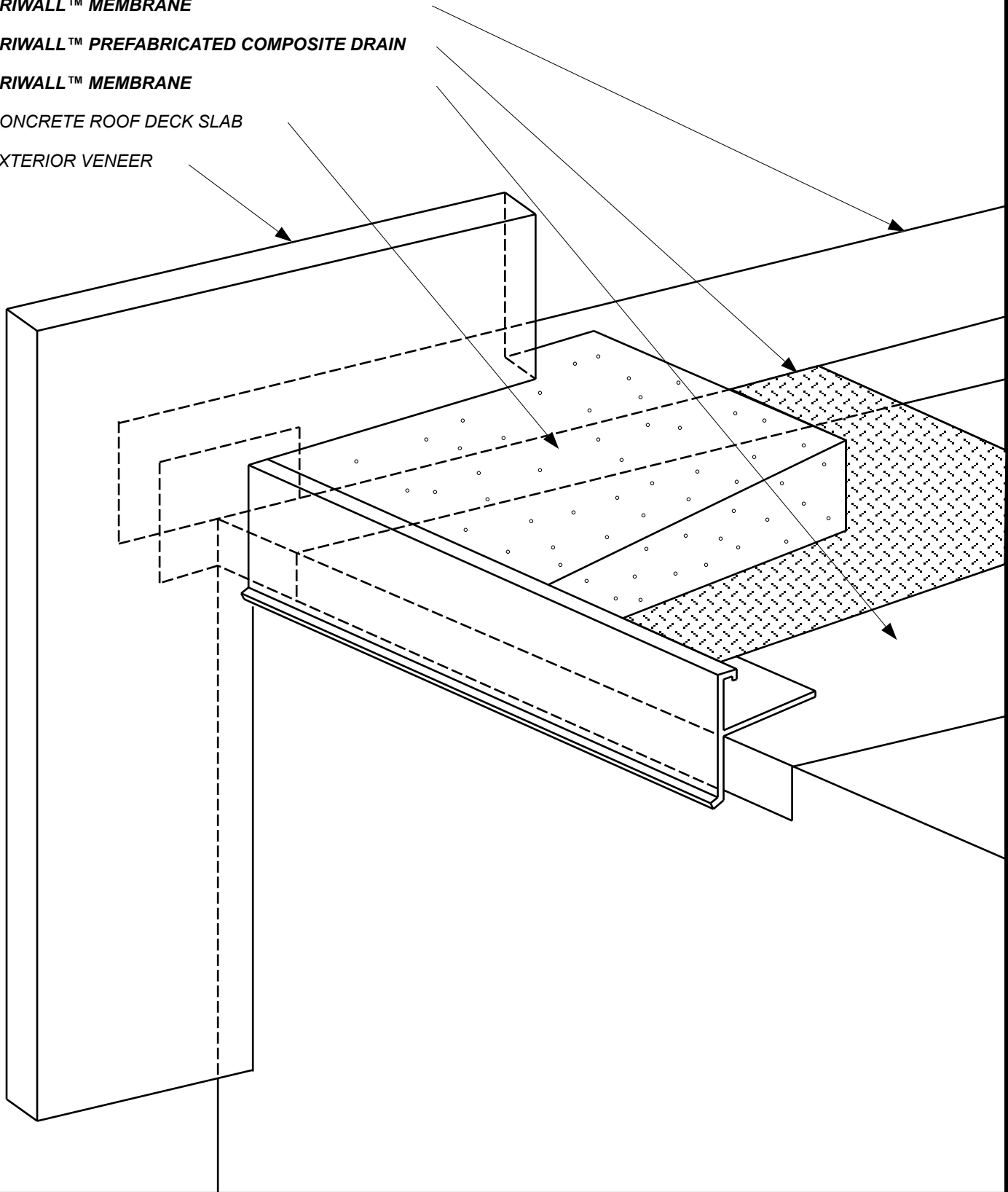
DRIWALL™ MEMBRANE

DRIWALL™ PREFABRICATED COMPOSITE DRAIN

DRIWALL™ MEMBRANE

CONCRETE ROOF DECK SLAB

EXTERIOR VENEER



SKETCH NO: **PCD-19**

DATE: **1/1/12**

SKETCH:
ROOF DECK EDGE

Keene Building Products
P.O. Box 241353 Cleveland, OH 44124
P (877) 514-5336 F (440) 605-1120
www.keenebuilding.com