



Healthy Roofs = Drainage & Ventilation

Receive AIA Continuing Education Credits



American Institute of Architects Keene Outline

Research

- The Building Science Corp.
 - Ice dams & rain control in buildings papers
- Cedar shake and shingle bureau
 - Recommended methods to increase roof longevity

Problems from poorly ventilated roofs

- Issues arising from no drainage and ventilation
- Images

Benefits from a continuous ventilation product

- Issues avoided by drainage and ventilation
- Noise reduction test study
- Images

Components of roofing ventilation

- Ridge vent
- Soffit vent
- Continuous ventilation underlayment

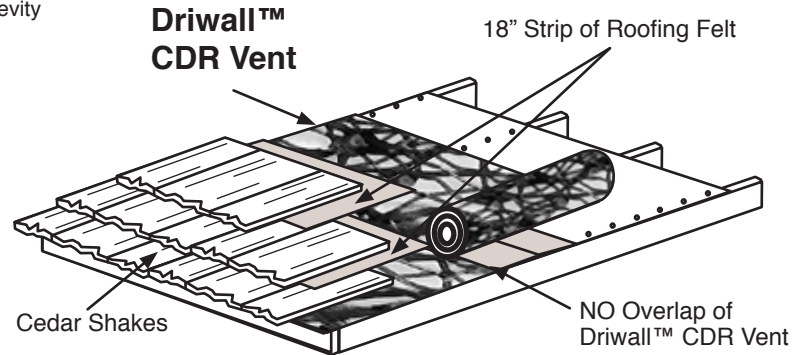
Roofing underlayment details

- What to look for in a continuous ventilation underlayment
- Installation instructions
- Images

Roofing details

- Detailed drawings of roof assemblies utilizing a continuous ventilation underlayment
- Metal & wood assemblies

Summary and Questions



Call TODAY to set up a lunch meeting

877-514-5336

Learning Objectives

- ✓ Review research, best practices, and recommendations on the need for continuous ventilation in roofs
- ✓ Analyze the problems from poorly ventilated roofs, as well as establish the benefits of continuous ventilation in roofing assemblies
- ✓ Identify the components of proper roof ventilation
- ✓ Understand roofing details in accordance with the continuous ventilation underlayment in wood and metal roofing assemblies

Keene Building Products is a registered provider with The American Institute of Architects Continuing Education Systems. Credit earned upon completion of this program will be reported to CES Records for AIA members. Credit includes Health, Safety, and Welfare (HSW) (1 Credit Hour).

Certificates of completion for non-AIA members are available upon request. This program is registered with the AIA/CES for continuing professional education. As such, it does not include content that may be deemed or construed to be an approval or endorsement by the AIA of any material of construction or any method or manner of handling, using, distributing, or dealing in any material or product. Questions related to specific material, methods and services will be addressed at the conclusion of this presentation.



P.O. Box 241353

Mayfield Heights, OH 44124

Info@KeeneBuilding.com

www.KeeneBuilding.com

877 | 514 | 5336

P 440 | 605 | 1020

F 440 | 605 | 1120